

AQUASKY PLUS

PUMPLUS 10 BAR PRESSURE VESSELS



PumPlus Pressure tank is an essential part of a pressurized water system that provides water pressure at a set level. The tank stores supplemental water between the diaphragm and liner, and the pressurized air chamber is able to create a supply circle. This process reduces the number of times the motor need to start in order for the system pressure to remain at the set level. The tension of the diaphragm maintains water pressure within the system, ensuring proper operation of the pump system.

PumPlus pressure tank is an energy-saving device and no maintenance is needed. A properly sized pump and pump tank will work as a team to meet your needs and will deliver many years of dependable service.

Aquasky products are produced according to the standards established by PED 2014/68/EU and EN 13831 regulations.

Certification: CE, ISO9001, UPC, NSF58, NSF61, ACS, KC

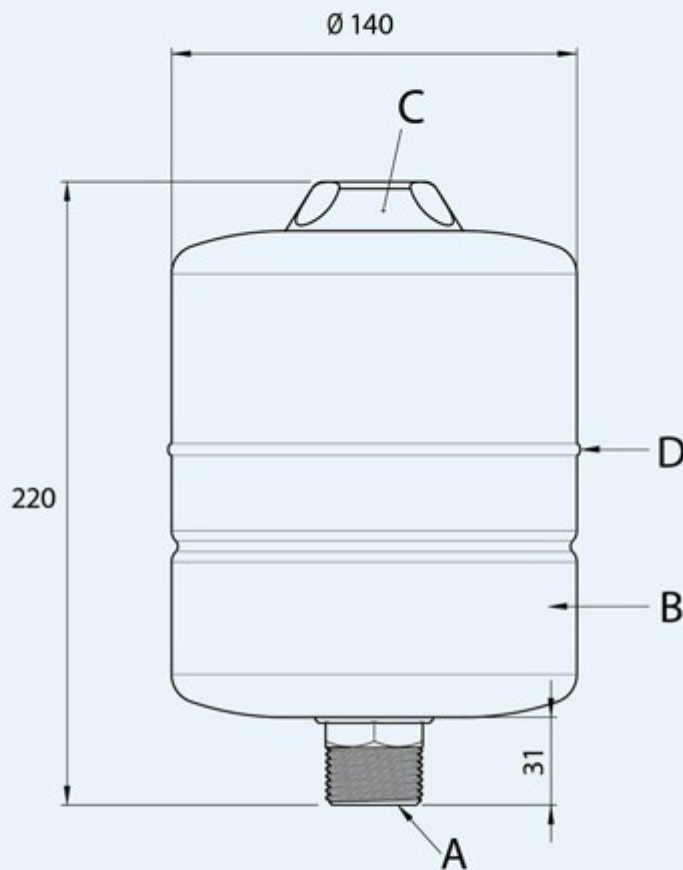
| SHELL | SYSTEM CONNECTION | COATING | DIAPHRAGM | LINER MATERIAL | FACTORY PRE-CHARGE | MAX WORKING TEMPERATURE | MAX WORKING PRESSURE |
|-----------------------------|----------------------------------|----------------------------|----------------------------|----------------------------|--------------------|-------------------------|----------------------|
| Cold Rolled Carbon Steel | 304 Stainless Steel Connector | Triple Grade Blue Paint | Heavy-Duty Butyl Rubber | FDA Grade Polypropylene | 30 PSI 2 Bar | 93 C 200 F | 150 PSI 10 Bar |



**SHIELD
COATING**

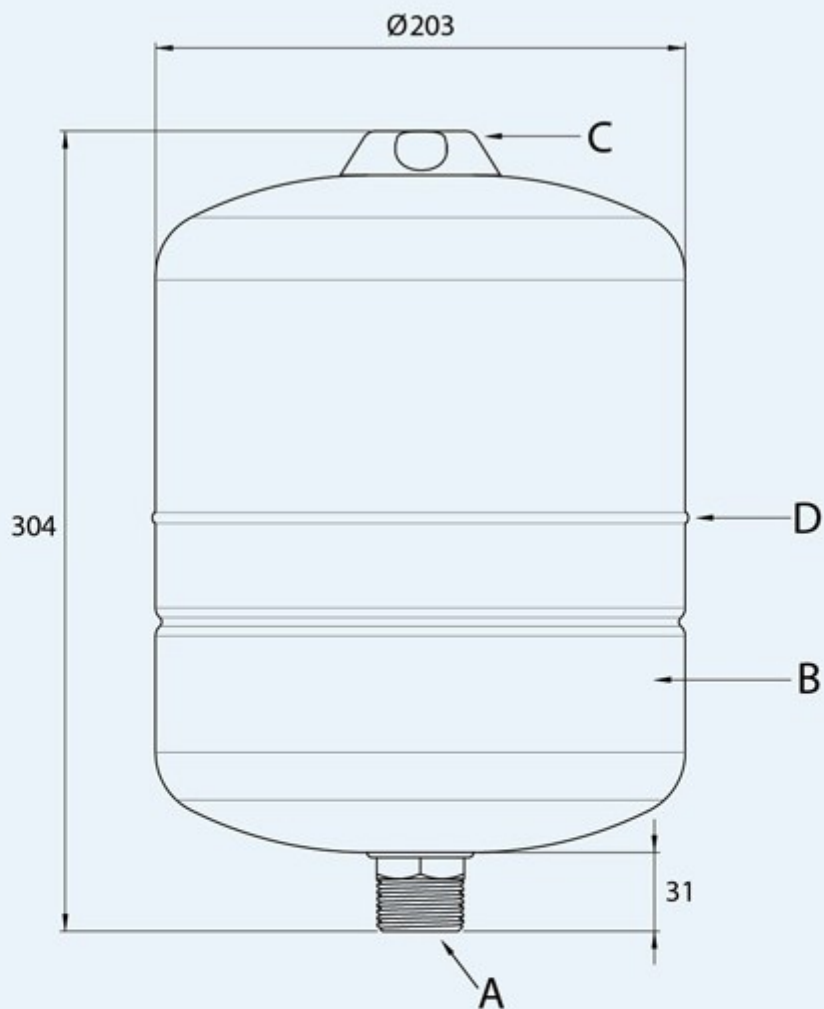


**N2
FILLING**



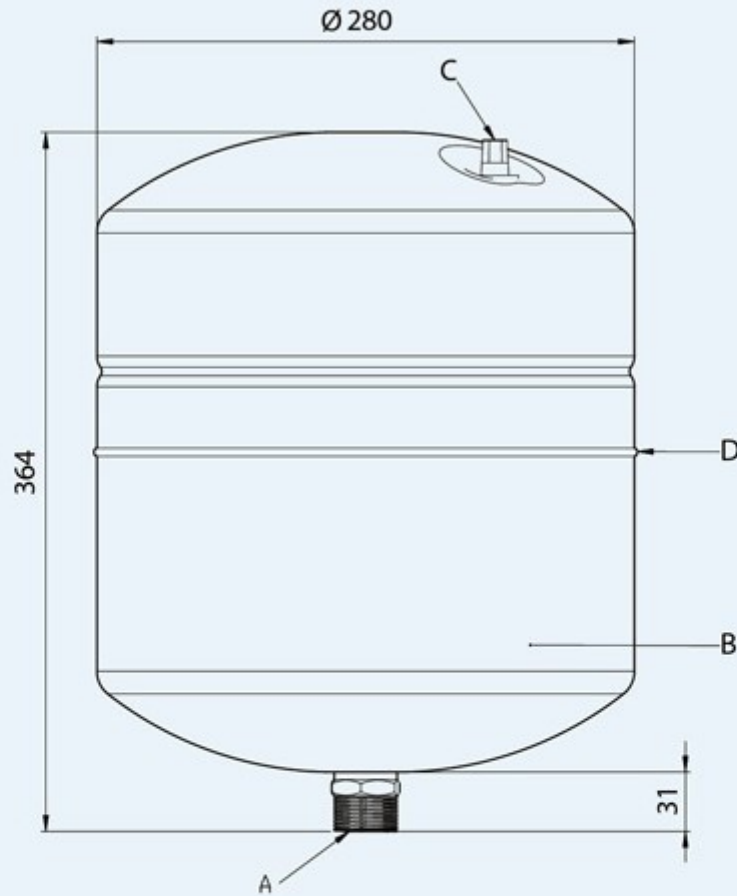
unit:mm

| | | |
|-------------------------|-----------------------------------|------------------------------|
| A | 1" STAINLESS STEEL CONNECTION 304 | DO NOT SCALE FROM DRAWING |
| B | BUTYL RUBBER DIAPHRAGM | |
| C | AIR VALVE | |
| D | WELD AREA (1) | |
| TANK INFORMATION | | AQUASKY ENTERPRISE CORP. |
| TANK VOLUME | 3 L | PUMPLUS PRESSURE TANK |
| TEST PRESSURE | 14.5 Bar | |
| MAX. WORKING PRESSURE | 10.0 Bar | |
| MAX. OPERATING TEMP. | 90 Degree C | |
| CONNECTION SIZE | 1"BSPT | |
| | | APT-3 |



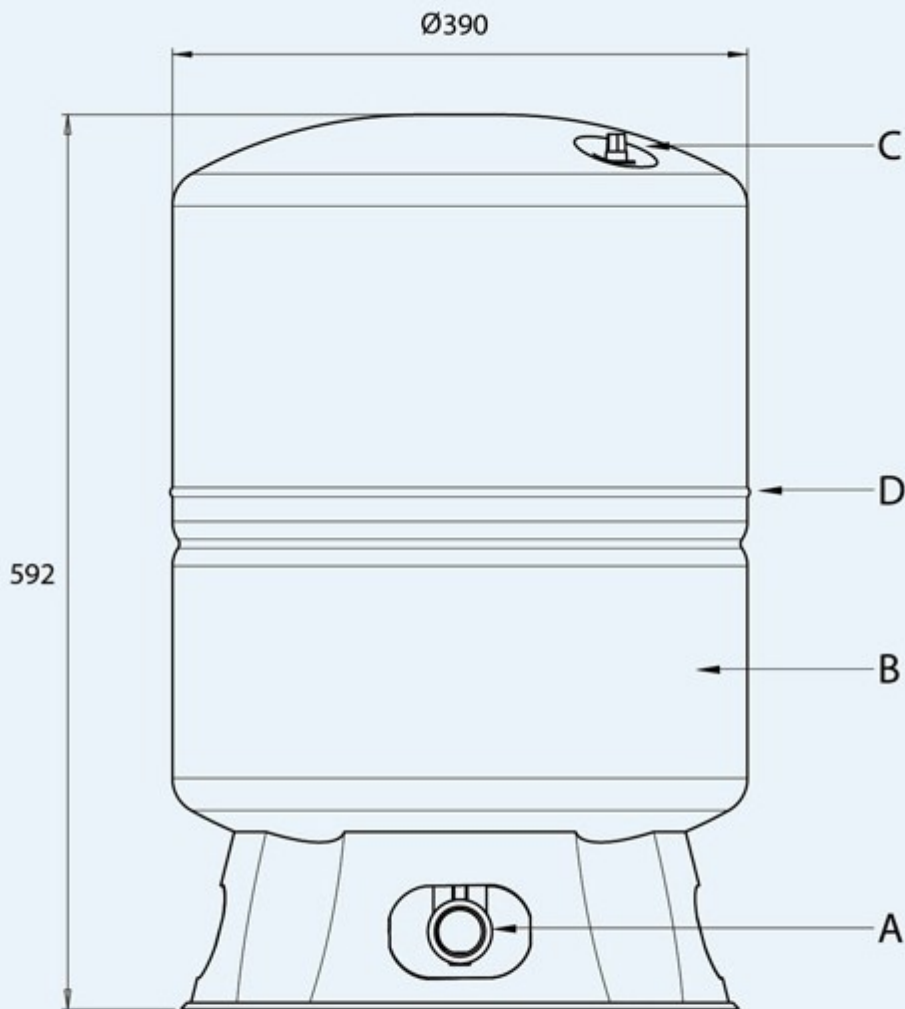
unit:mm

| | | |
|-------------------------|-----------------------------------|------------------------------|
| A | 1" STAINLESS STEEL CONNECTION 304 | DO NOT SCALE FROM DRAWING |
| B | BUTYL RUBBER DIAPHRAGM | |
| C | AIR VALVE | AQUASKY ENTERPRISE CORP. |
| D | WELD AREA (1) | |
| TANK INFORMATION | | PUMPLUS PRESSURE TANK |
| TANK VOLUME | 8 L | |
| TEST PRESSURE | 14.5 Bar | APT-8 |
| MAX. WORKING PRESSURE | 10.0 Bar | |
| MAX. OPERATING TEMP. | 90 Degree C | |
| CONNECTION SIZE | 1"BSPT | |



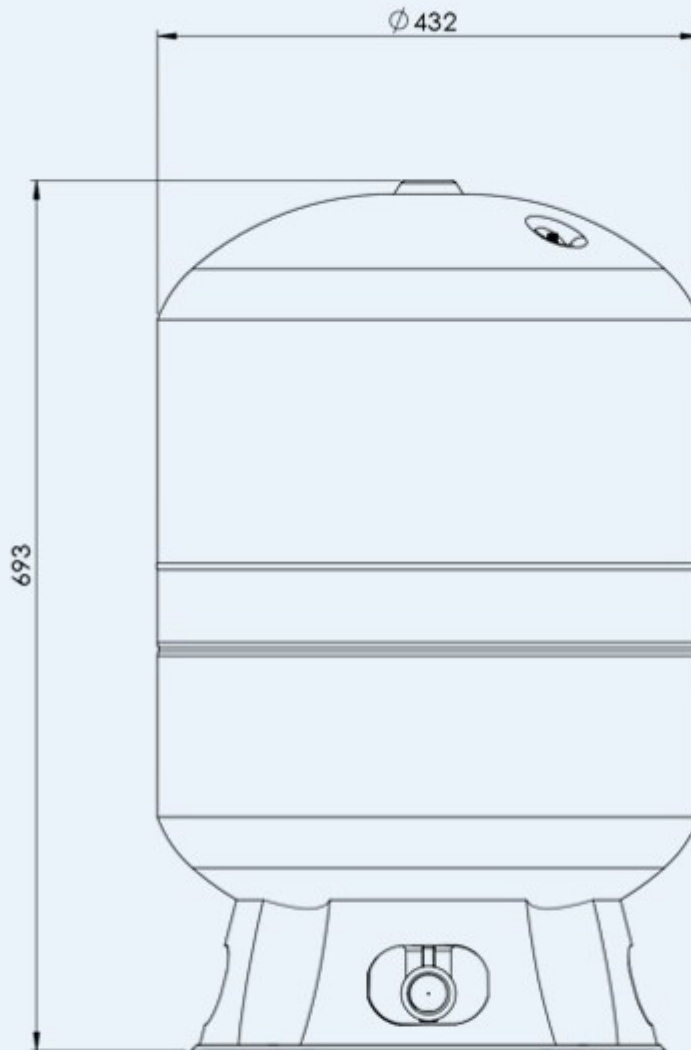
unit:mm

| | | |
|-------------------------|-----------------------------------|------------------------------|
| A | 1" STAINLESS STEEL CONNECTION 304 | DO NOT SCALE FROM DRAWING |
| B | BUTYL RUBBER DIAPHRAGM | |
| C | AIR VALVE | |
| D | WELD AREA (1) | |
| TANK INFORMATION | | AQUASKY ENTERPRISE CORP. |
| TANK VOLUME | 18 L | PUMPLUS PRESSURE TANK |
| TEST PRESSURE | 14.5 Bar | |
| MAX. WORKING PRESSURE | 10.0 Bar | |
| MAX. OPERATING TEMP. | 90 Degree C | |
| CONNECTION SIZE | 1"BSPT | |
| | | APT-18 |



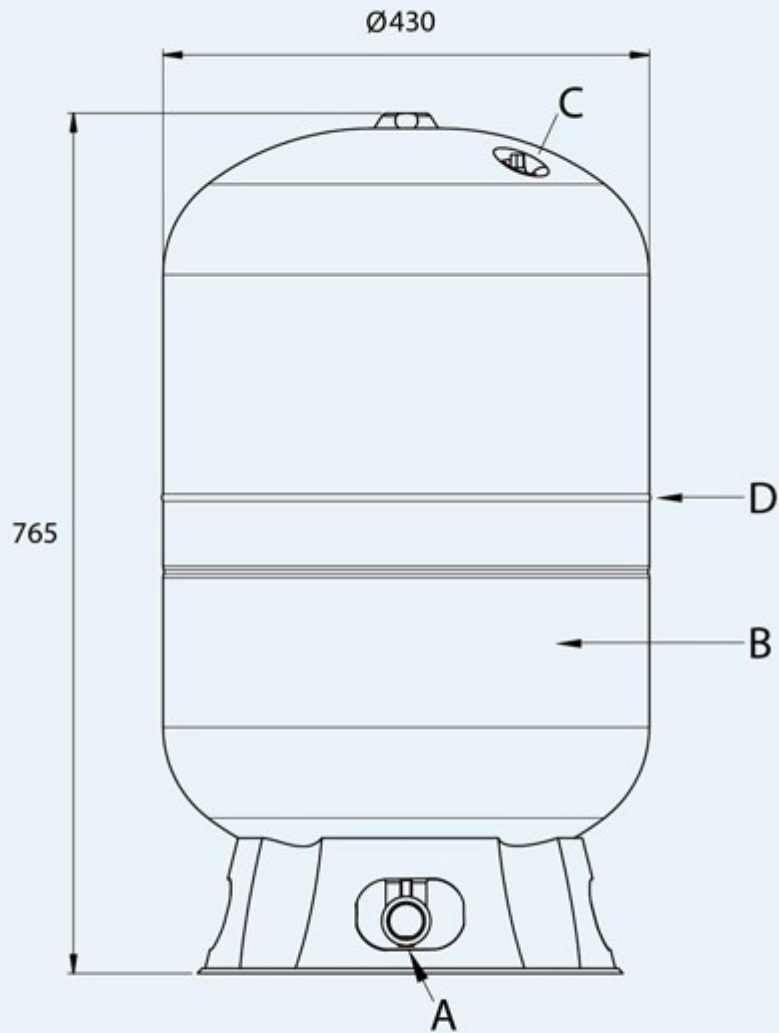
unit:mm

| | | |
|-------------------------|-----------------------------------|------------------------------|
| A | 1" STAINLESS STEEL CONNECTION 304 | DO NOT SCALE FROM DRAWING |
| B | BUTYL RUBBER DIAPHRAGM | |
| C | AIR VALVE | |
| D | WELD AREA (1) | |
| TANK INFORMATION | | AQUASKY ENTERPRISE CORP. |
| TANK VOLUME | 60 L | PUMPLUS PRESSURE TANK |
| TEST PRESSURE | 14.5 Bar | |
| MAX. WORKING PRESSURE | 10.0 Bar | |
| MAX. OPERATING TEMP. | 90 Degree C | |
| CONNECTION SIZE | 1" BSP Elbow | |
| | | APT-60 |



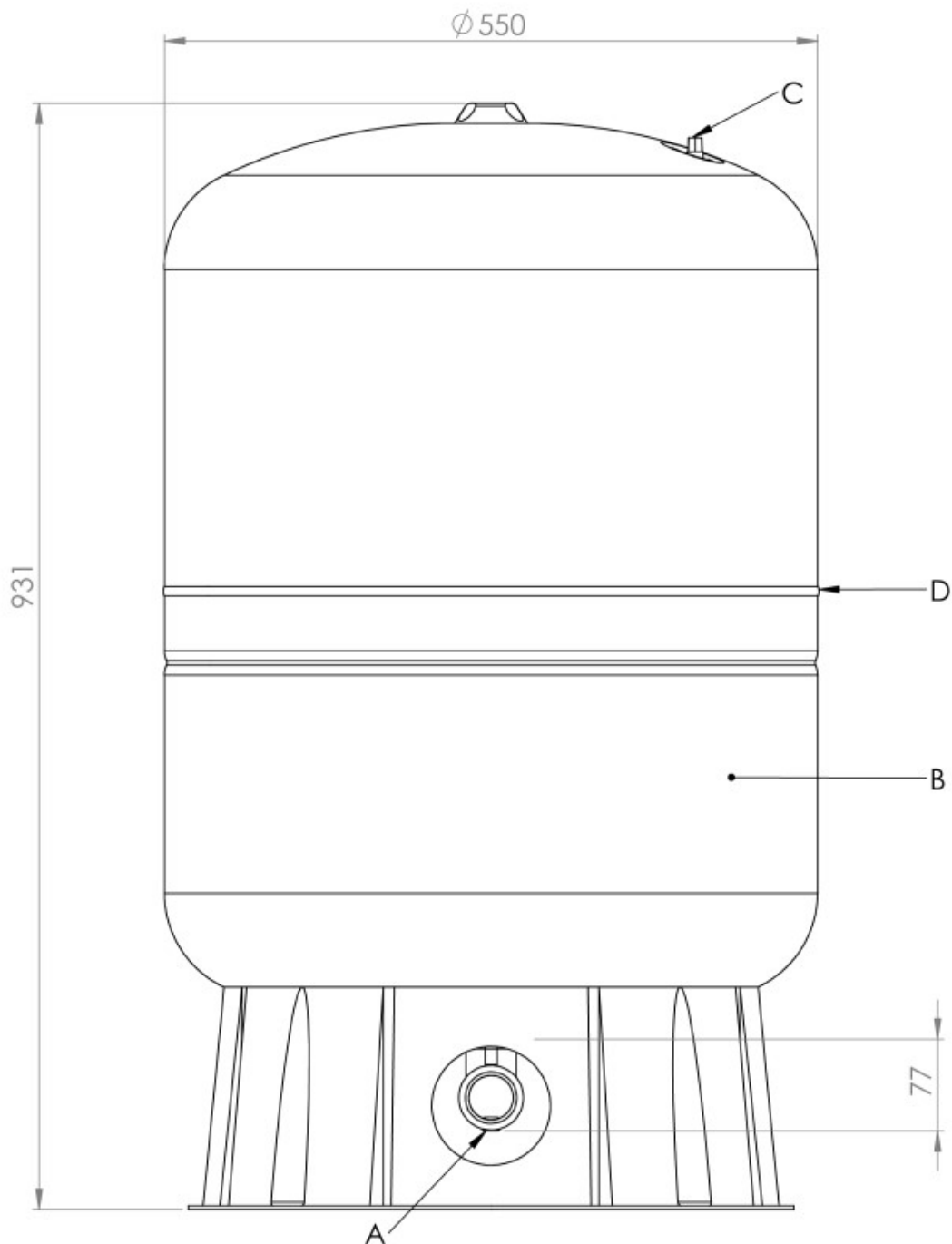
unit:mm

| | | |
|------------------------------|--|----------------------------------|
| A | 1" STAINLESS STEEL CONNECTION 304 | DO NOT SCALE FROM DRAWING |
| B | BUTYL RUBBER DIAPHRAGM | |
| C | AIR VALVE | |
| D | WELD AREA (1) | |
| TANK INFORMATION | | Topic : |
| TANK VOLUME | 80L | PUMPLUS PRESSURE TANK |
| TEST PRESSURE | 14.5 Bar | Model No. |
| MAX. WORKING PRESSURE | 10.0 Bar | APT-80 |
| MAX. OPERATING TEMP. | 90 Degree C | A4 |
| Connection Size | 1" BSP Elbow | |
| 2021.7.1 | | Page : 1 of 1 |



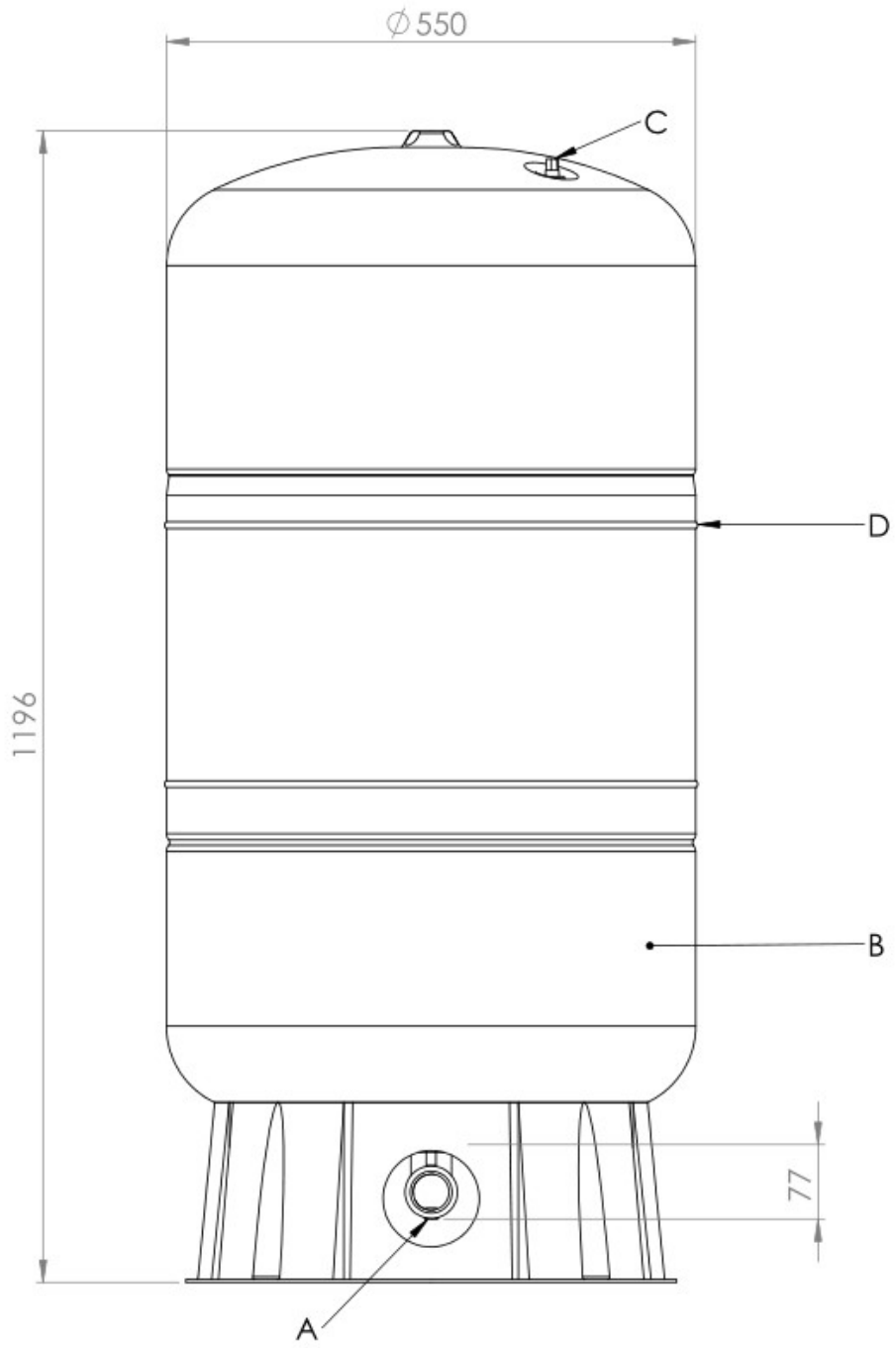
unit:mm

| | | |
|-------------------------|-----------------------------------|------------------------------|
| A | 1" STAINLESS STEEL CONNECTION 304 | DO NOT SCALE FROM DRAWING |
| B | BUTYL RUBBER DIAPHRAGM | |
| C | AIR VALVE | |
| D | WELD AREA (1) | |
| TANK INFORMATION | | AQUASKY ENTERPRISE CORP. |
| TANK VOLUME | 100 L | PUMPLUS PRESSURE TANK |
| TEST PRESSURE | 14.5 Bar | |
| MAX. WORKING PRESSURE | 10.0 Bar | |
| MAX. OPERATING TEMP. | 90 Degree C | |
| CONNECTION SIZE | 1" BSP Elbow | |
| | | APT-100 |



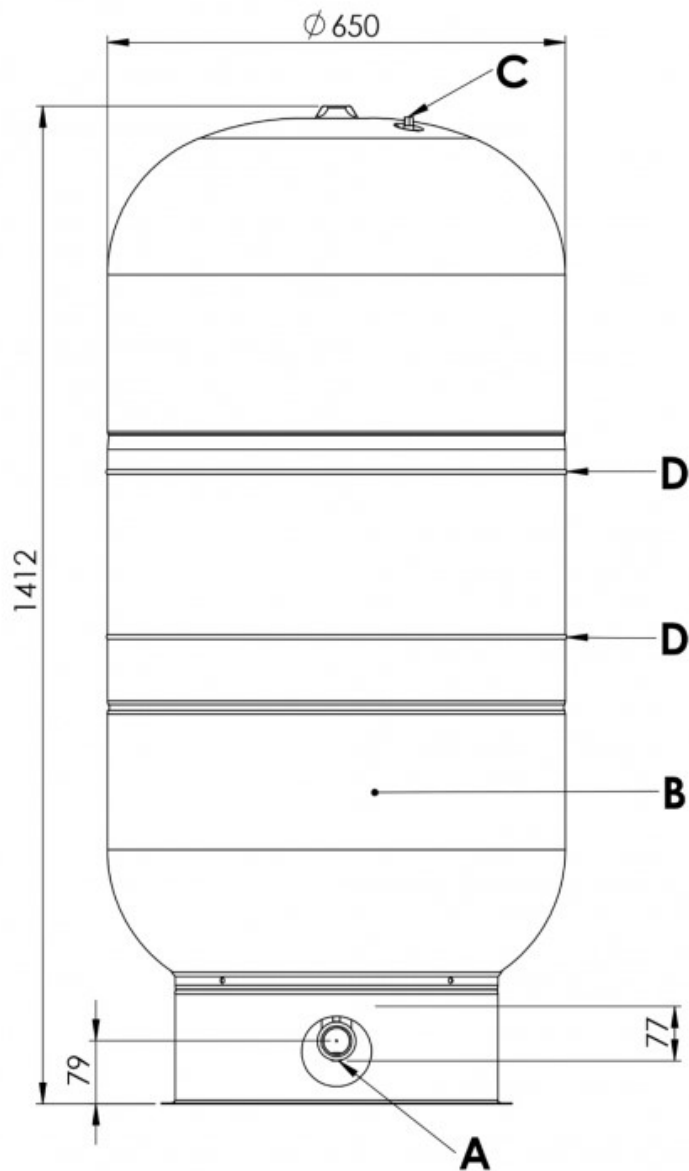
unit:mm

| | | | |
|-------------------------|---------------------------------------|---------------------------------|---------------------------------|
| A | 1-1/4" STAINLESS STEEL CONNECTION 304 | DO NOT SCALE FROM DRAWING | AQUASKY ENTERPRISE CORP. |
| B | BUTYL RUBBER DIAPHRAGM | | |
| C | AIR VALVE | | |
| D | WELD AREA (1) | | |
| TANK INFORMATION | | Topic : | |
| TANK VOLUME | 160L | PUMPLUS PRESSURE TANK | |
| TEST PRESSURE | 14.5 Bar | Model No. | |
| MAX. WORKING PRESSURE | 10.0 Bar | | |
| MAX. OPERATING TEMP. | 90 Degree C | APT-160 | A4 |
| Connection Size | 1-1/4" BSP Elbow | Page : 1 of 1 | |
| 2020.8.26 | | | |



unit:mm

| | | | |
|-------------------------|--|---------------------------------|---------------------------------|
| A | 1-1/4" STAINLESS STEEL CONNECTION 304 | DO NOT SCALE FROM DRAWING | AQUASKY ENTERPRISE CORP. |
| B | BUTYL RUBBER DIAPHRAGM | | |
| C | AIR VALVE | | |
| D | WELD AREA (1) | | |
| TANK INFORMATION | | Topic : | |
| TANK VOLUME | 240L | PUMPLUS PRESSURE TANK | |
| TEST PRESSURE | 14.5 Bar | Model No. | |
| MAX. WORKING PRESSURE | 10.0 Bar | APT-240 | A4 |
| MAX. OPERATING TEMP. | 90 Degree C | Page : 1 of 1 | |
| Connection Size | 1-1/4" BSP Elbow | | |
| 2020.8.26 | | | |



unit:mm

| | | | |
|-------------------------|---------------------------------------|---------------------------------|--------------------------|
| A | 1-1/4" STAINLESS STEEL CONNECTION 304 | DO NOT SCALE FROM DRAWING | AQUASKY ENTERPRISE CORP. |
| B | BUTYL RUBBER DIAPHRAGM | | |
| C | AIR VALVE | Topic : | |
| D | WELD AREA (2) | PUMPLUS PRESSURE TANK | |
| TANK INFORMATION | | Model No. | A4 |
| TANK VOLUME | 450 L | APT-450 | |
| TEST PRESSURE | 14.5 Bar | Page : 1 of 1 | |
| MAX. WORKING PRESSURE | 10.0 Bar | | |
| MAX. OPERATING TEMP. | 90 Degree C | | |
| Connection Size | 1-1/4" BSP Elbow | | |
| 2025.09.04 | | | |