

STAINLESS STEEL CENTRIFUGAL PUMP

ASO

SERIES 50HZ



Semi-open Impeller

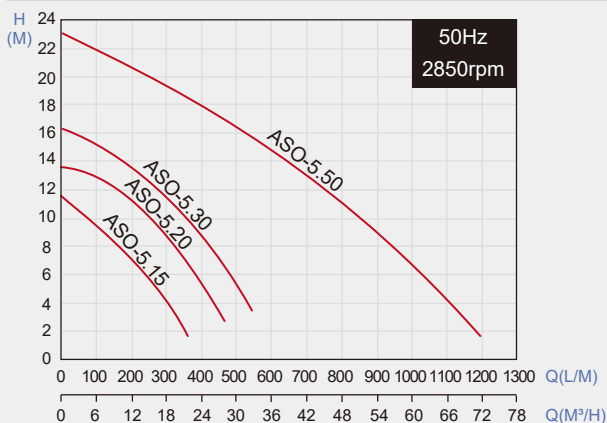
Features

- Pump made of SST 304
- Water contacted Pump parts with Nano coating anti Acid/Alkali
- High head/ large capacity

Applications

- Plant services / Water supply systems
- Liquid transfer / Water reclamation
- Water treatment / Air conditioning systems

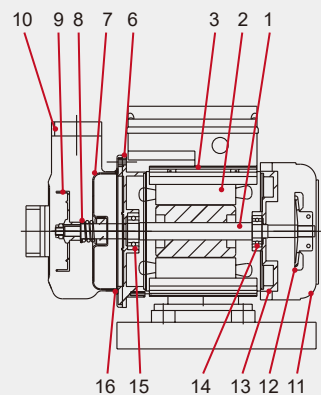
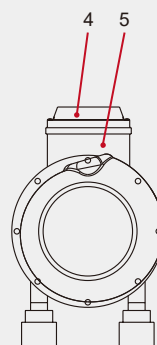
Performance Curve



All technical information is subject to change without notice.

Data Chart

Type	Output		Discharge	F.L.A.		Rated		Maximum		Weight
	HP	kW		1 ϕ 230V	3 ϕ 400V	Head M	Cap. LPM	Head M	Cap. LPM	
ASO-5.15	1.5	1.1	2"	6A	2A	7.2	200	11.7	356	13
ASO-5.20	2	1.5	2"	8A	3A	11	215	13.5	470	15
ASO-5.30	3	2.2	2"	-	4A	11.6	300	16.5	550	24
ASO-5.50	5	3.7	3"	-	9A	15.5	556	23	1200	44



Parts and Material List

No.	Part	Material
1	Rotor & Shaft	AISI 304
2	Stator	
3	Stator Housing	Aluminum
4	Terminal Box(upper)	ABS
5	Terminal Box(lower)	ABS
6	Front Endshield	Aluminum
7	Mid Plate	AISI 304
8	Mechanical Seal	CA / CE
9	Impeller	AISI 304
10	Pump Housing	AISI 304
11	Fan Cover	Steel
12	Fan	PP
13	Endshield	EN-GJL-200
14	Bearing	
15	Bearing	
16	O-Ring	HNBR