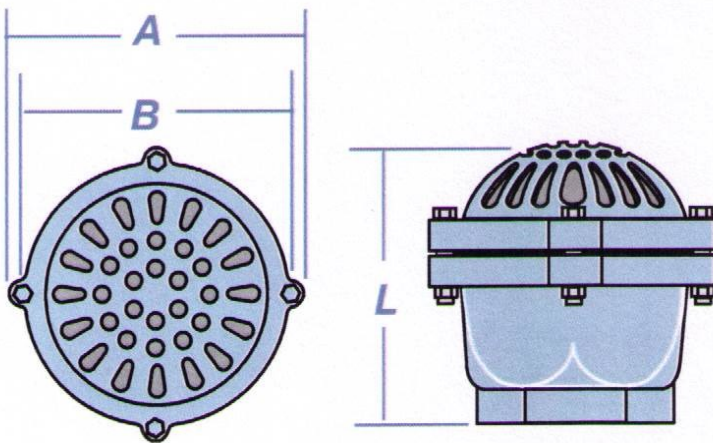




Foot Valve – Cast Iron Certified Lead Free

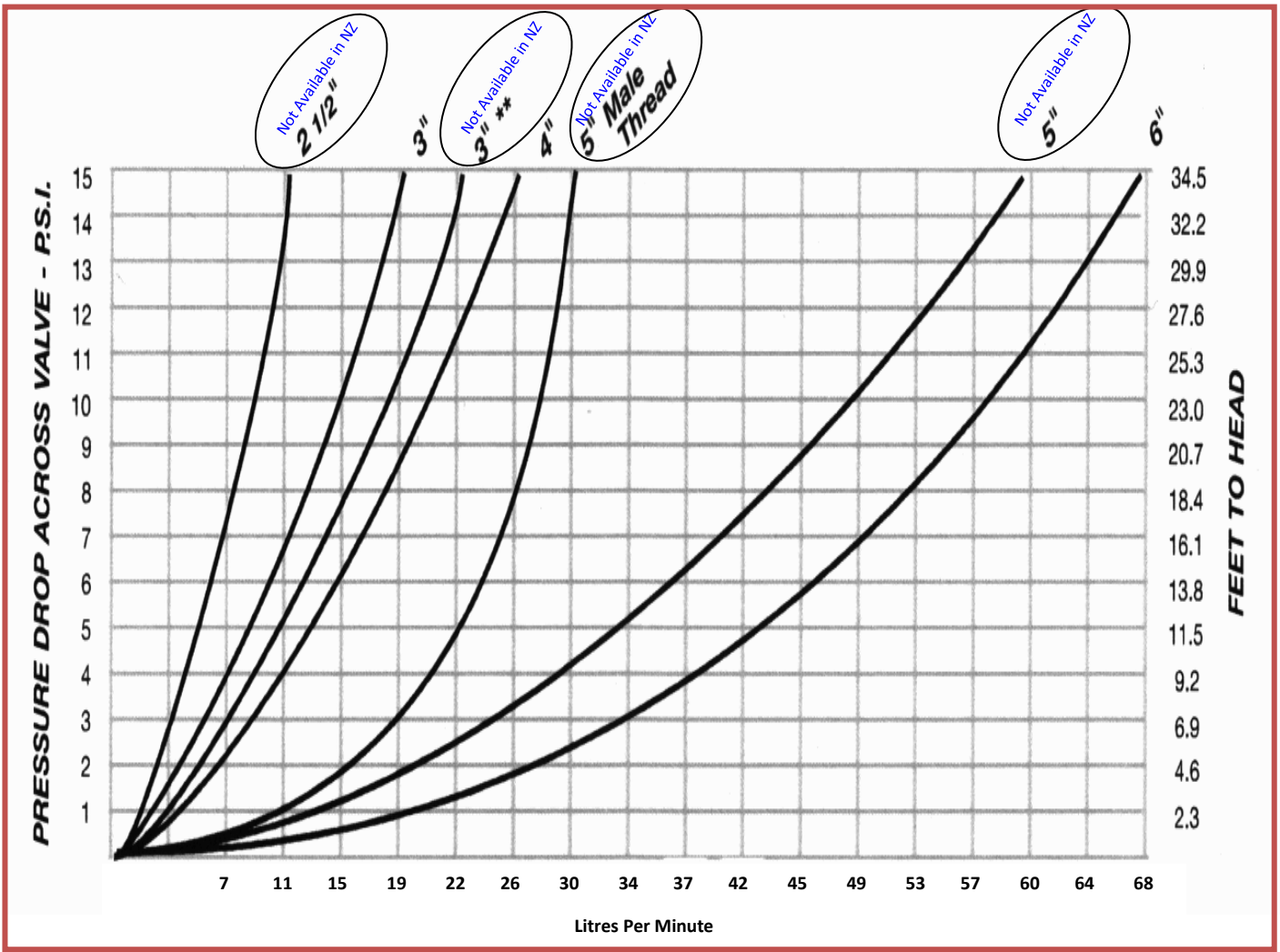
- Powder coated cast iron
- Weighted leather flapper
- 20 PSI operating pressure

VALVE DIMENSIONS



Size		A	B	L	Hex Size
2"	BSP	5 1/4"	5 3/4"	5 1/4"	3 5/16"
3"	BSP	6 1/4"	7 5/8"	7 3/16"	4 9/16"
4"	BSP	7 11/16"	9 1/16"	8 7/8"	5 9/16"
6"	BSP	10 1/16"	11 7/16"	12"	7 3/4"

Size	Weight			
	Inches	MM	Pounds	Kilos
1.5		40	3.3	1.5
2		50	6.5	3.0
3		80	12.3	5.6
4		100	20.5	9.3
6		150	44.7	20.3



Product Certification

Quality Assurance is Top Priority at Simmons.

With the increasing concern for the environment and changing regulations, we rely on the experience and state-of-the-art testing of Truesdail Laboratories to certify that Simmons products are in compliance with important standards.



The Truesdail certification program is accredited by ANS