

MC "DOUBLE-CHANNEL"

Submersible pumps

for sewage water



PERFORMANCE RANGE

- Flow rate up to **1600 l/min** (96 m³/h)
- Head up to **25 m**

APPLICATION LIMITS

- **10 m** maximum immersion depth
- Maximum liquid temperature **+40 °C**
- Solids passage:
 - up to **Ø 50 mm** for MC 15-20-30-40/50
 - up to **Ø 70 mm** for MC 30-40/70
- Minimum immersion depth for continuous service:
 - **380 mm** for MC 15-20-30-40/50
 - **430 mm** for MC 30-40/70

CONSTRUCTION AND SAFETY STANDARDS

- Complete with **10 m** long power cable
- Float switch for single-phase versions

EN 60034-1
IEC 60034-1
CEI 2-3



CERTIFICATIONS



INSTALLATION AND USE

MC series pumps, made from heavy gauge cast iron offering exceptional sturdiness, abrasion resistance and durability, come equipped with a DOUBLE-CHANNEL impeller and are capable of pumping liquids containing short fibred suspended solids. They are ideal for pumping **sewage, waste water, water mixed with mud, groundwater and surface water** in locations such as apartment blocks, public buildings, factories, tower garages, underground car parks and cleaning areas, etc.

PATENTS - TRADE MARKS - MODELS

- Registered Community Design n° 342159-0017

OPTIONALS AVAILABLE ON REQUEST

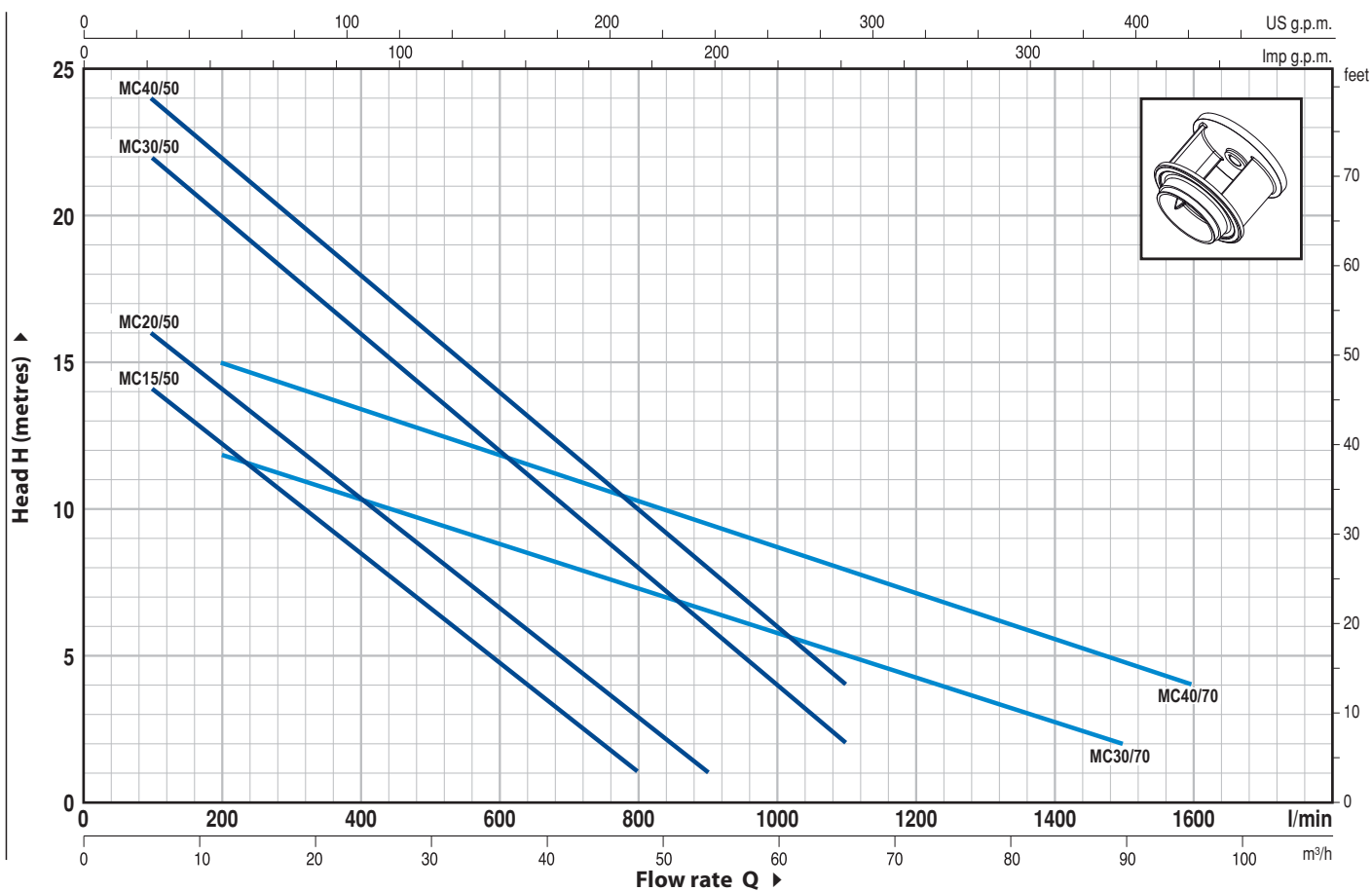
- QES control box for three-phase pumps
- Three-phase dual voltage pumps:
 - 230/400 V or
 - 400/690 V
- Single-phase pumps without float switch
- Other voltages or 60 Hz frequency

GUARANTEE

2 years subject to terms and conditions

For the following versions the built-in thermal overload protector must be connected to the control box in order for the guarantee to be considered valid:

- | | |
|--------------------|------------------------------------|
| single-phase | three-phase |
| – MCm 30/50 - HP 3 | – MC 15-20-30-40/50 - HP 1.5-2-3-4 |
| – MCm 30/70 - HP 3 | – MC 30-40/70 - HP 3-4 |

CHARACTERISTIC CURVES AND PERFORMANCE DATA
50 Hz n= 2900 1/min


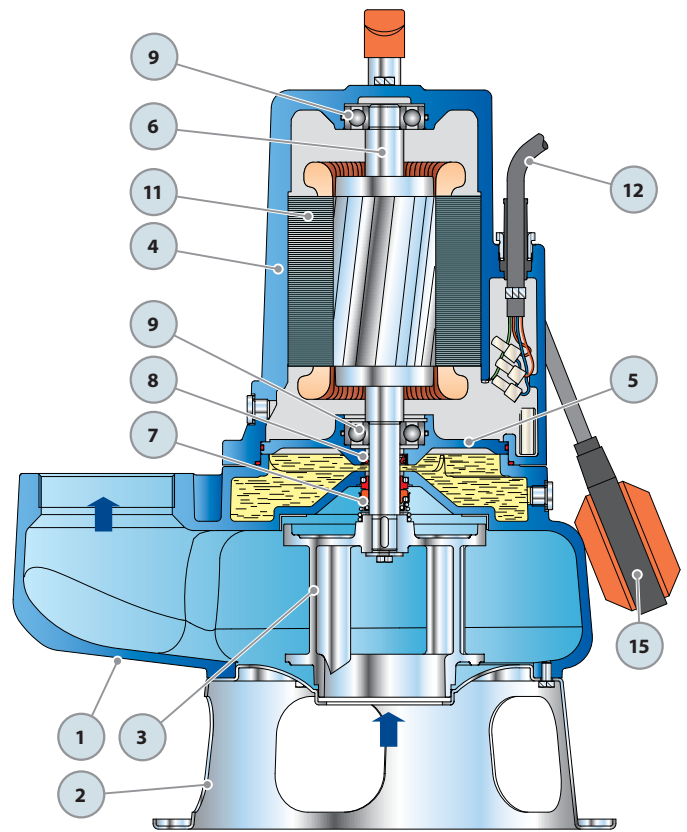
MODEL		POWER		Q	Flow rate															
Single-phase	Three-phase	kW	HP		m ³ /h	0	6	12	18	24	30	36	42	48	54	60	66	72	84	96
				l/min	0	100	200	300	400	500	600	700	800	900	1000	1100	1200	1400	1600	
MCm 15/50	MC 15/50	1.1	1.5	H metres	16	14	12.5	10.5	8.5	6.5	4.5	3	1							
MCm 20/50	MC 20/50	1.5	2		18	16	14	12.5	10.5	8.5	6.5	5	3	1						
MCm 30/50	MC 30/50	2.2	3		24	22	20	18	16	14	12	10	8	6	4	2				
-	MC 40/50	3	4		25	24	22	20	18	16	14	12	10	8	6	4				
MCm 30/70	MC 30/70	2.2	3		13	-	12	11	10.5	9.5	8.5	8	7.5	6.5	6	5	4.5	3	2	
-	MC 40/70	3	4		17	-	15	14	13.5	12.5	12	11	10.5	9.5	8.5	8	7	5.5	4	

Q = Flow rate H = Total manometric head

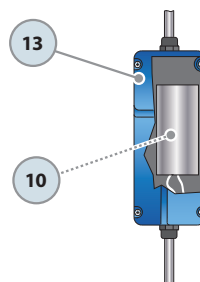
Tolerance of characteristic curves in compliance with EN ISO 9906 App. A.

MC "DOUBLE-CHANNEL"

POS.	COMPONENT	CONSTRUCTION CHARACTERISTICS			
1	PUMP BODY	Cast iron, with threaded port in compliance with ISO 228/1			
2	BASE	Stainless steel AISI 304			
3	IMPELLER	Stainless steel AISI 304 DOUBLE-CHANNEL type			
4	MOTOR CASING	Cast iron			
5	MOTOR CASING PLATE	Cast iron			
6	MOTOR SHAFT	Stainless steel AISI 431			
7	SHAFT WITH DOUBLE SEAL AND OIL CHAMBER				
	<i>Seal</i>	<i>Shaft</i>	<i>Materials</i>		
	<i>Model</i>	<i>Diameter</i>	<i>Stationary ring</i>	<i>Rotational ring</i>	<i>Elastomer</i>
	FN-20 DV	Ø 20 mm	Widia	Silicon carbide	NBR
8	LIP SEAL	Ø 20 x Ø 30 x H 7 mm			
9	BEARINGS	6304 ZZ - C3 / 6304 ZZ - C3			
10	CAPACITOR				
	<i>Pump</i>	<i>Capacitance</i>			
	<i>Single-phase</i>	<i>(230 V or 240 V)</i>			
	MCm 15/50	31.5 µF 450 VL			
	MCm 20/50	50 µF 450 VL			
	MCm 30/50	60 µF 450 VL			
	MCm 30/70	60 µF 450 VL			
11	ELECTRIC MOTOR				
	MCm 15-20: single-phase 230 V - 50 Hz with thermal overload protector built-in to the winding				
	⇒ MCm 30: single-phase 230 V - 50 Hz with thermal overload protector built-in to the winding to be connected to the control box				
	⇒ MC: three-phase 400 V - 50 Hz. with thermal overload protector built-in to the winding to be connected to the control box				
	– Insulation: F class				
	– Protection: IP 68				
12	POWER CABLE				
	10 metre long "H07 RN-F" cable				
13	CONTROL BOX for MCm 15-20				
	(only for single-phase versions)				
	Complete with capacitor and manual reset motor protector				
14	CONTROL BOX for MCm 30				
	(only for single-phase versions)				
	QES 300 MONO series				
15	FLOAT SWITCH				
	(only for single-phase versions)				

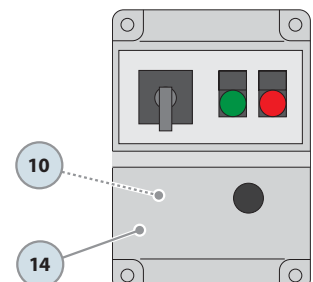


Standard features



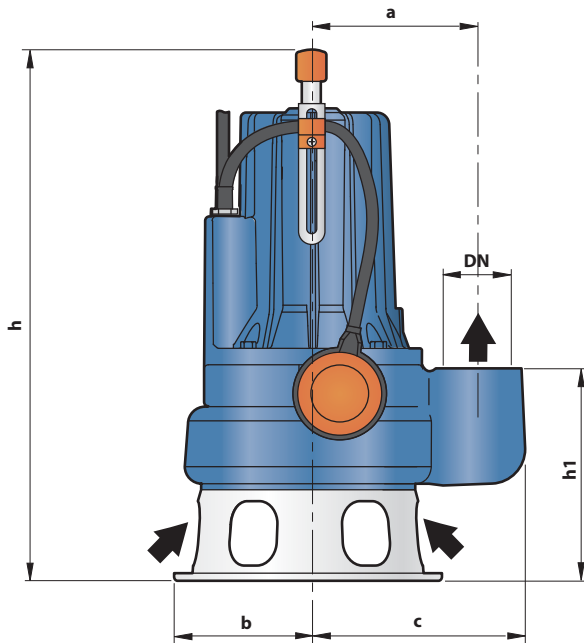
Control box for MCm 15-20
(only for single-phase versions)

Standard features

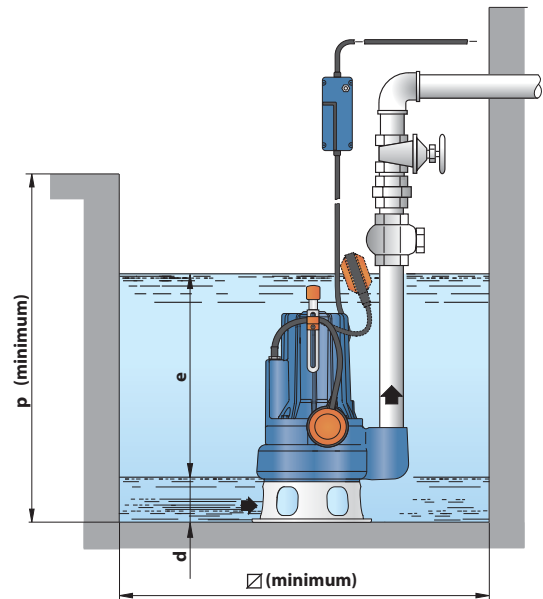


Control box for MCm 30
(only for single-phase versions)

DIMENSIONS AND WEIGHT



Typical installation



MODEL		PORT DN	solids passage	DIMENSIONS mm									kg	
Single-phase	Three-phase			a	b	c	h	h1	d	e	p	Ø	1~	3~
MCm 15/50	MC 15/50	2½"	Ø 50 mm	162	135	214	490	191	75	variable	800	800	37.1	35.9
MCm 20/50	MC 20/50						505/490						39.0	36.8
MCm 30/50	MC 30/50						505						43.2	39.2
-	MC 40/50						536						-	42.2
MCm 30/70	MC 30/70	3"	Ø 70 mm	180	150	241	536	231	85	variable	800	800	48.3	42.6
-	MC 40/70						550/536						-	48.1

ABSORPTION

MODEL	VOLTAGE (single-phase)	
	230 V	240 V
Single-phase	230 V	240 V
MCm 15/50	9.0 A	9.0 A
MCm 20/50	10.5 A	10.5 A
MCm 30/50	15.2 A	15.2 A
MCm 30/70	15.2 A	15.2 A

MODEL	VOLTAGE (three-phase)					
	230 V	400 V	690 V	240 V	415 V	720 V
Three-phase	230 V	400 V	690 V	240 V	415 V	720 V
MC 15/50	5.5 A	3.2 A	1.8 A	5.5 A	3.2 A	1.8 A
MC 20/50	7.4 A	4.3 A	2.5 A	7.4 A	4.3 A	2.5 A
MC 30/50	9.9 A	5.7 A	3.3 A	9.9 A	5.7 A	3.3 A
MC 40/50	13.5 A	7.8 A	4.5 A	13.5 A	7.8 A	4.5 A
MC 30/70	10.2 A	5.9 A	3.4 A	10.2 A	5.9 A	3.4 A
MC 40/70	13.5 A	7.8 A	4.5 A	13.5 A	7.8 A	4.5 A

PALLETIZATION

MODEL		GROUPAGE / CONTAINER			
Single-phase	Three-phase	n° pumps	H (mm)	kg	
				1~	3~
MCm 15/50	MC 15/50	24	1715	908	879
MCm 20/50	MC 20/50	24	1715	953	901
MCm 30/50	MC 30/50	24	1715	1054	958
-	MC 40/50	24	1715	-	1030
MCm 30/70	MC 30/70	12	1280	596	528
-	MC 40/70	12	1280	-	594

