

CP-ST

Stainless steel centrifugal pumps

CP-ST4

Pump body: **stainless steel AISI 304**
Impeller: **stainless steel AISI 304**
Shaft: **stainless steel AISI 431**

CP-ST6

Pump body: **stainless steel AISI 316L**
Impeller: **stainless steel AISI 316L**
Shaft: **stainless steel AISI 316L**

 Clean water

 Domestic use

 Agricultural use

 Industrial use



PERFORMANCE RANGE

- Maximum flow rate **270 l/min** (16.2 m³/h)
- Maximum head **45 m**

APPLICATION LIMITS

- Manometric suction lift up to **7 m**
- Liquid temperature between **-10 °C** and **+90 °C**
- Ambient temperature between **+40 °C**
- Max. working pressure:
 - **6 bar** for CP 100-130-132-150-158 ST4
CP 100-130-132-150-158 ST6
 - **8 bar** for CP 170-170M ST4
CP 170-170M ST6
CP 180-190-200 ST4
CP 180-190-200 ST6
- Continuous service **S1**

INSTALLATION AND USE

Suitable for use with clean water and with liquids that are not chemically aggressive towards the materials from which the pump is made. Because of its design features these centrifugal pumps are recommended for use in domestic, agricultural and industrial applications. All the components in contact with the pumped liquid are in stainless steel AISI 304 or AISI 316L thus guaranteeing complete hygiene and maximum resistance against corrosion. The pump should be installed in an enclosed environment or sheltered from inclement weather.

OPTIONS AVAILABLE ON REQUEST

- Special mechanical seal
- Other voltages or 60 Hz frequency
- IP X5 class protection for CP 170-170M-180-190-200 ST

CONSTRUCTION AND SAFETY STANDARDS

EN 60335-1
IEC 60335-1
CEI 61-150

EN 60034-1
IEC 60034-1
CEI 2-3



EU REGULATION N. 547/2012

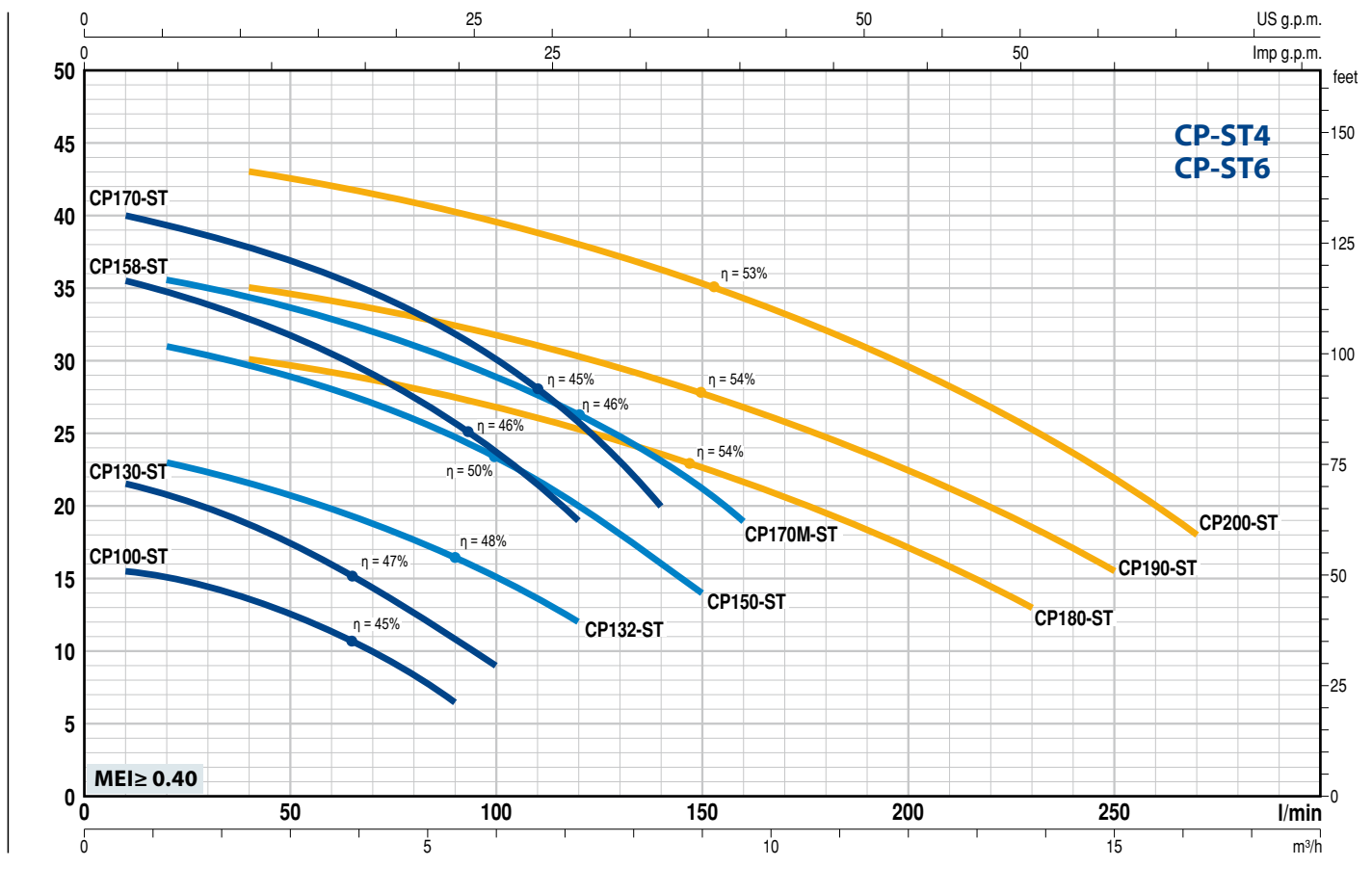
CERTIFICATIONS

Company with management system certified DNV
ISO 9001: QUALITY



CHARACTERISTIC CURVES AND PERFORMANCE DATA

50 Hz n = 2900 min⁻¹ HS = 0 m



| MODEL | | POWER (P ₂) | | | Q | H metres | | | | | | | | | | | | | | | | | | | | | | | | | | | | | | | | | | | | | | | | | | | | | | | | | | | | | | | | | | | | | | | | | | | | | | | | | | | | | | | | | | | | | | | | | | | | | | | | | | | | | | | | | |
|--------------|-------------|-------------------------|------|-----|----------|-------------------|------|-----|------|------|-----|-----|------|------|------|------|------|------|------|-----|------|---|----|------|------|------|----|----|------|----|---|----|------|----|------|------|----|----|----|------|------|------|----|----|------|----|----|----|----|------|------|----|----|----|------|----|------|---|------|------|----|----|----|------|----|----|----|------|---|---|----|------|------|------|------|------|------|------|----|----|------|------|------|----|------|------|------|------|------|------|------|------|----|----|--|--|--|--|--|--|--|--|--|--|--|--|--|--|--|--|--|
| Single-phase | Three-phase | kW | HP | ▲ | | m ³ /h | 0 | 0.6 | 1.2 | 2.4 | 3.6 | 5.4 | 6.0 | 7.2 | 8.4 | 9.0 | 9.6 | 12 | 13.8 | 15 | 16.2 | | | | | | | | | | | | | | | | | | | | | | | | | | | | | | | | | | | | | | | | | | | | | | | | | | | | | | | | | | | | | | | | | | | | | | | | | | | | | | | | | | | | | | | | | | |
| | | | | | l/min | 0 | 10 | 20 | 40 | 60 | 90 | 100 | 120 | 140 | 150 | 160 | 200 | 230 | 250 | 270 | | | | | | | | | | | | | | | | | | | | | | | | | | | | | | | | | | | | | | | | | | | | | | | | | | | | | | | | | | | | | | | | | | | | | | | | | | | | | | | | | | | | | | | | | | | |
| CPm 100-ST4 | CP 100-ST4 | 0.25 | 0.33 | IE2 | H metres | 16 | 15.5 | 15 | 13.5 | 11.2 | 6.5 | | | | | | | | | | | | | | | | | | | | | | | | | | | | | | | | | | | | | | | | | | | | | | | | | | | | | | | | | | | | | | | | | | | | | | | | | | | | | | | | | | | | | | | | | | | | | | | | | | | | |
| CPm 100-ST6 | CP 100-ST6 | | | | | | | | | | | | | | | | | | | | | | | | | | | | | | | | | | | | | | | | | | | | | | | | | | | | | | | | | | | | | | | | | | | | | | | | | | | | | | | | | | | | | | | | | | | | | | | | | | | | | | | | | | | | | | |
| CPm 130-ST4 | CP 130-ST4 | 0.37 | 0.50 | IE3 | | | | | | | | 32 | 22.5 | 21.5 | 20.8 | 18.8 | 16 | 10.8 | 9 | | | | | | | | | | | | | | | | | | | | | | | | | | | | | | | | | | | | | | | | | | | | | | | | | | | | | | | | | | | | | | | | | | | | | | | | | | | | | | | | | | | | | | | | | | | | |
| CPm 130-ST6 | CP 130-ST6 | | | | | | | | | | | | | | | | | | | | | | | | | | | | | | | | | | | | | | | | | | | | | | | | | | | | | | | | | | | | | | | | | | | | | | | | | | | | | | | | | | | | | | | | | | | | | | | | | | | | | | | | | | | | | | |
| CPm 132-ST4 | CP 132-ST4 | 0.55 | 0.75 | IE3 | | | | | | | | | | | | | | | | 41 | 24 | - | 23 | 21.5 | 19.8 | 16.5 | 15 | 12 | | | | | | | | | | | | | | | | | | | | | | | | | | | | | | | | | | | | | | | | | | | | | | | | | | | | | | | | | | | | | | | | | | | | | | | | | | | | | | | | | | | |
| CPm 132-ST6 | CP 132-ST6 | | | | | | | | | | | | | | | | | | | | | | | | | | | | | | | | | | | | | | | | | | | | | | | | | | | | | | | | | | | | | | | | | | | | | | | | | | | | | | | | | | | | | | | | | | | | | | | | | | | | | | | | | | | | | | |
| CPm 150-ST4 | CP 150-ST4 | 0.75 | 1 | IE3 | | | | | | | | | | | | | | | | | | | | | | | | | 36.5 | 32 | - | 31 | 29.8 | 28 | 24.8 | 23.2 | 20 | 16 | 14 | | | | | | | | | | | | | | | | | | | | | | | | | | | | | | | | | | | | | | | | | | | | | | | | | | | | | | | | | | | | | | | | | | | | | | | | |
| CPm 150-ST6 | CP 150-ST6 | | | | | | | | | | | | | | | | | | | | | | | | | | | | | | | | | | | | | | | | | | | | | | | | | | | | | | | | | | | | | | | | | | | | | | | | | | | | | | | | | | | | | | | | | | | | | | | | | | | | | | | | | | | | | | |
| CPm 158-ST4 | CP 158-ST4 | 0.75 | 1 | IE3 | | | | | | | | | | | | | | | | | | | | | | | | | | | | | | | | | | | | 36.5 | 35.5 | 34.5 | 33 | 31 | 26.2 | 23 | 19 | | | | | | | | | | | | | | | | | | | | | | | | | | | | | | | | | | | | | | | | | | | | | | | | | | | | | | | | | | | | | | | | |
| CPm 158-ST6 | CP 158-ST6 | | | | | | | | | | | | | | | | | | | | | | | | | | | | | | | | | | | | | | | | | | | | | | | | | | | | | | | | | | | | | | | | | | | | | | | | | | | | | | | | | | | | | | | | | | | | | | | | | | | | | | | | | | | | | | |
| CPm 170-ST4 | CP 170-ST4 | 1.1 | 1.5 | IE3 | | | | | | | | | | | | | | | | | | | | | | | | | | | | | | | | | | | | | | | | | | | | 41 | 40 | 39.2 | 37.8 | 36 | 32 | 30 | 25.8 | 20 | | | | | | | | | | | | | | | | | | | | | | | | | | | | | | | | | | | | | | | | | | | | | | | | | | | | | | | |
| CPm 170-ST6 | CP 170-ST6 | | | | | | | | | | | | | | | | | | | | | | | | | | | | | | | | | | | | | | | | | | | | | | | | | | | | | | | | | | | | | | | | | | | | | | | | | | | | | | | | | | | | | | | | | | | | | | | | | | | | | | | | | | | | | | |
| CPm 170M-ST4 | CP 170M-ST4 | 1.1 | 1.5 | IE3 | | | | | | | | | | | | | | | | | | | | | | | | | | | | | | | | | | | | | | | | | | | | | | | | | | | | | 36.5 | - | 35.5 | 34.3 | 33 | 30 | 29 | 31.2 | 23 | 21 | 19 | | | | | | | | | | | | | | | | | | | | | | | | | | | | | | | | | | | | | | | | | | | | |
| CPm 170M-ST6 | CP 170M-ST6 | | | | | | | | | | | | | | | | | | | | | | | | | | | | | | | | | | | | | | | | | | | | | | | | | | | | | | | | | | | | | | | | | | | | | | | | | | | | | | | | | | | | | | | | | | | | | | | | | | | | | | | | | | | | | | |
| CPm 180-ST4 | CP 180-ST4 | 1.1 | 1.5 | IE3 | | | | | | | | | | | | | | | | | | | | | | | | | | | | | | | | | | | | | | | | | | | | | | | | | | | | | | | | | | | | | | | | 31.5 | - | - | 30 | 29.2 | 27.5 | 26.8 | 25.2 | 23.5 | 22.5 | 21.5 | 17 | 13 | | | | | | | | | | | | | | | | | | | | | | | | | | | | | | | |
| CPm 180-ST6 | CP 180-ST6 | | | | | | | | | | | | | | | | | | | | | | | | | | | | | | | | | | | | | | | | | | | | | | | | | | | | | | | | | | | | | | | | | | | | | | | | | | | | | | | | | | | | | | | | | | | | | | | | | | | | | | | | | | | | | | |
| CPm 190-ST4 | CP 190-ST4 | 1.5 | 2 | IE3 | 37 | - | - | 35 | 34 | 32.5 | 32 | | | | | | | | | | | | | | | | | | | | | | | | | | | | | | | | | | | | | | | | | | | | | | | | | | | | | | | | | | | | | | | | | | | | | | 30.5 | 28.5 | 27.5 | 27 | 22.5 | 18.5 | 15.5 | | | | | | | | | | | | | | | | | | | | | | | | |
| CPm 190-ST6 | CP 190-ST6 | | | | | | | | | | | | | | | | | | | | | | | | | | | | | | | | | | | | | | | | | | | | | | | | | | | | | | | | | | | | | | | | | | | | | | | | | | | | | | | | | | | | | | | | | | | | | | | | | | | | | | | | | | | | | | |
| CPm 200-ST4 | CP 200-ST4 | 2.2 | 3 | IE3 | | | | | | | | 45 | - | - | 43 | 42 | 40.5 | 39.5 | 38 | | | | | | | | | | | | | | | | | | | | | | | | | | | | | | | | | | | | | | | | | | | | | | | | | | | | | | | | | | | | | | | | | | | | | 36.5 | 35.5 | 34.2 | 29.5 | 25.5 | 22 | 18 | | | | | | | | | | | | | | | | | |
| CPm 200-ST6 | CP 200-ST6 | | | | | | | | | | | | | | | | | | | | | | | | | | | | | | | | | | | | | | | | | | | | | | | | | | | | | | | | | | | | | | | | | | | | | | | | | | | | | | | | | | | | | | | | | | | | | | | | | | | | | | | | | | | | | | |

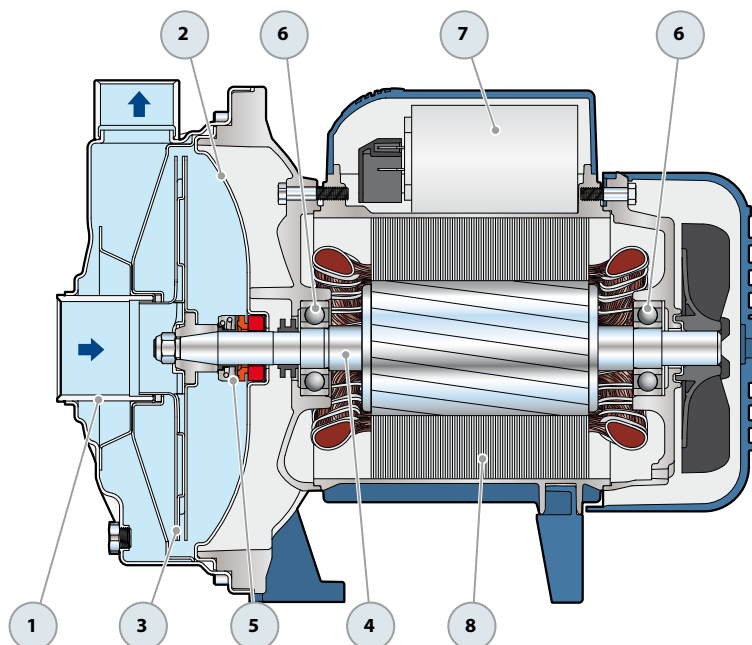
Q = Flow rate H = Total manometric head HS = Suction height

Tolerance of characteristic curves in compliance with EN ISO 9906 Grado 3B.

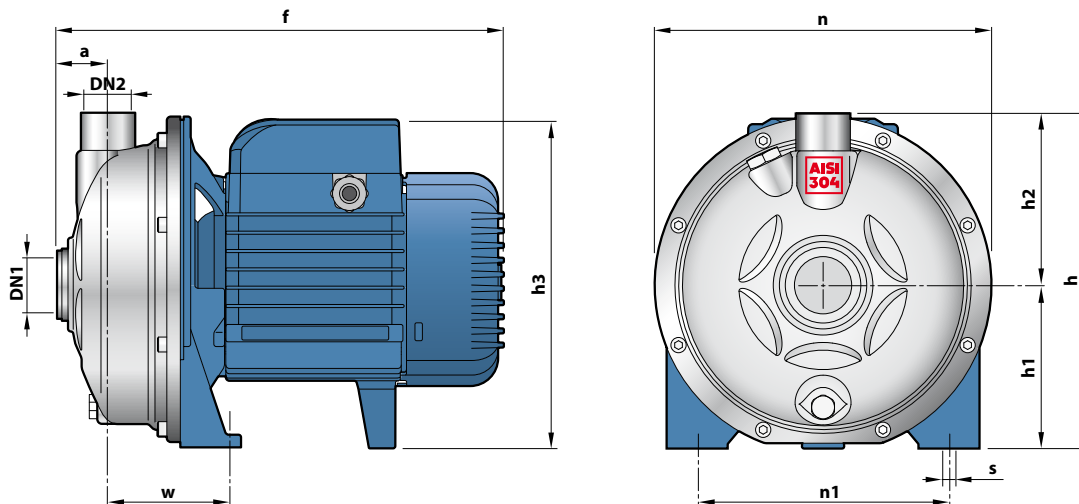
▲ Three phase motor efficiency class (IEC 60034-30-1)

CP-ST4

| POS. | COMPONENT | CONSTRUCTION CHARACTERISTICS | | | | | | |
|---|-----------------------------|--|-------------------|-----------------|------------------------|------------------------|------------------|---------------|
| 1 | PUMP BODY | Stainless steel AISI 304 | | | | | | |
| 2 | BODY BACKPLATE | Stainless steel AISI 304 | | | | | | |
| 3 | IMPELLER | Stainless steel AISI 304 | | | | | | |
| 4 | MOTOR SHAFT | Stainless steel AISI 431 | | | | | | |
| 5 | MECHANICAL SEAL | Pump | Seal | Shaft | Materials | | | |
| | | <i>Model</i> | <i>Model</i> | <i>Diameter</i> | <i>Stationary ring</i> | <i>Rotational ring</i> | <i>Elastomer</i> | <i>Spring</i> |
| | | CP 100-ST4, CP 130-ST4 CP 132-ST4 | AR-12 | Ø 12 mm | Ceramic | Graphite | NBR | AISI 304 |
| | | CP 150-ST4, CP 158-ST4 | AR-14 | Ø 14 mm | Ceramic | Graphite | NBR | AISI 304 |
| | | CP 170-ST4, CP 170M-ST4 CP 180-ST4, CP 190-ST4 CP 200-ST4 | FN-18 | Ø 18 mm | Graphite | Ceramic | NBR | AISI 316 |
| 6 | BEARINGS | Pump | Model | | | | | |
| | | CP 100-ST4, CP 130-ST4 CP 132-ST4 | 6201 ZZ / 6201 ZZ | | | | | |
| | | CP 150-ST4, CP 158-ST4 | 6203 ZZ / 6203 ZZ | | | | | |
| | | CP 170-ST4, CP 170M-ST4 CP 180-ST4, CP 190-ST4 CP 200-ST4 | 6204 ZZ / 6204 ZZ | | | | | |
| | | 7 | CAPACITOR | Pump | Capacitance | | | |
| <i>Single-phase</i> | <i>(220-230 V or 240 V)</i> | | | | | | | |
| CPm 100-ST4 | 10 µF - 450 VL | | | | | | | |
| CPm 130-ST4 | 10 µF - 450 VL | | | | | | | |
| CPm 132-ST4 | 14 µF - 450 VL | | | | | | | |
| CPm 150-ST4, CPm 158-ST4 | 20 µF - 450 VL | | | | | | | |
| CPm 170-ST4, CPm 170M-ST4 | 25 µF - 450 VL | | | | | | | |
| CPm 180-ST4 | 31.5 µF - 450 VL | | | | | | | |
| CPm 190-ST4 | 45 µF - 450 VL | | | | | | | |
| CPm 200-ST4 | 50 µF - 450 VL | | | | | | | |
| 8 | ELECTRIC MOTOR | CPm-ST4: single-phase 220-230 V - 50 Hz with thermal overload protector incorporated into the winding. CP-ST4: trifase 230/400 V - 50 Hz. | | | | | | |
| <p>⇒ The three-phase pumps are fitted with high performance motors for P₂=0.25 kW in class IE2 and from P₂=0.37 kW in class IE3 (IEC 60034-30-1)</p> <ul style="list-style-type: none"> - Insulation: class F - Protection: IP X4 | | | | | | | | |



DIMENSIONS AND WEIGHT



| MODEL | | PORTS | | DIMENSIONS mm | | | | | | | | | | kg | | | |
|--------------|-------------|--------|-----|---------------|-----|-------|-----|-------|-------|-----|-----|------|-----|------|------|------|------|
| Single-phase | Three-phase | DN1 | DN2 | a | f | h | h1 | h2 | h3 | n | n1 | w | s | 1~ | 3~ | | |
| CPm 100-ST4 | CP 100-ST4 | 1 1/4" | 1" | 31.5 | 266 | 185.5 | 92 | 93.5 | 183 | 182 | 120 | 68.5 | 9 | 5.6 | 5.6 | | |
| CPm 130-ST4 | CP 130-ST4 | | | | | | | | | | | | | 6.5 | 6.5 | | |
| CPm 132-ST4 | CP 132-ST4 | | | | | | | | | | | | | 7.2 | 6.5 | | |
| CPm 150-ST4 | CP 150-ST4 | | | 33.5 | 295 | 219 | 107 | 112 | 218 * | 221 | 165 | 80.5 | 9.5 | 10.8 | 10.8 | 10.8 | 10.8 |
| CPm 158-ST4 | CP 158-ST4 | | | | | | | | | | | | | | | 14.5 | 14.5 |
| CPm 170-ST4 | CP 170-ST4 | | | | | | | | | | | | | | | 14.5 | 14.5 |
| CPm 170M-ST4 | CP 170M-ST4 | | | 33.5 | 368 | 237.5 | 120 | 117.5 | 251 | 245 | 180 | 86.5 | 11 | 15.8 | 15.8 | 15.8 | 15.8 |
| CPm 180-ST4 | CP 180-ST4 | | | | | | | | | | | | | | | 17.1 | 17.1 |
| CPm 190-ST4 | CP 190-ST4 | | | | | | | | | | | | | | | 19.6 | 19.6 |
| CPm 200-ST4 | CP 200-ST4 | | | | | 388 | | | | | | | | | | | |

(*) h3=237 mm for single phase versions at 110 V

ABSORPTION

| MODEL | VOLTAGE |
|--------------|---------|
| Single-phase | 230 V |
| CPm 100-ST4 | 2.0 A |
| CPm 130-ST4 | 3.0 A |
| CPm 132-ST4 | 3.7 A |
| CPm 150-ST4 | 6.0 A |
| CPm 158-ST4 | 6.0 A |
| CPm 170-ST4 | 7.8 A |
| CPm 170M-ST4 | 7.8 A |
| CPm 180-ST4 | 8.5 A |
| CPm 190-ST4 | 10.5 A |
| CPm 200-ST4 | 12.8 A |

| MODEL | VOLTAGE | |
|-------------|---------|-------|
| Three-phase | 230 V | 400 V |
| CP 100-ST4 | 1.7 A | 1.0 A |
| CP 130-ST4 | 1.9 A | 1.1 A |
| CP 132-ST4 | 2.3 A | 1.3 A |
| CP 150-ST4 | 4.2 A | 2.4 A |
| CP 158-ST4 | 4.2 A | 2.4 A |
| CP 170-ST4 | 5.7 A | 3.3 A |
| CP 170M-ST4 | 5.7 A | 3.3 A |
| CP 180-ST4 | 5.7 A | 3.3 A |
| CP 190-ST4 | 6.6 A | 3.8 A |
| CP 200-ST4 | 8.8 A | 5.1 A |

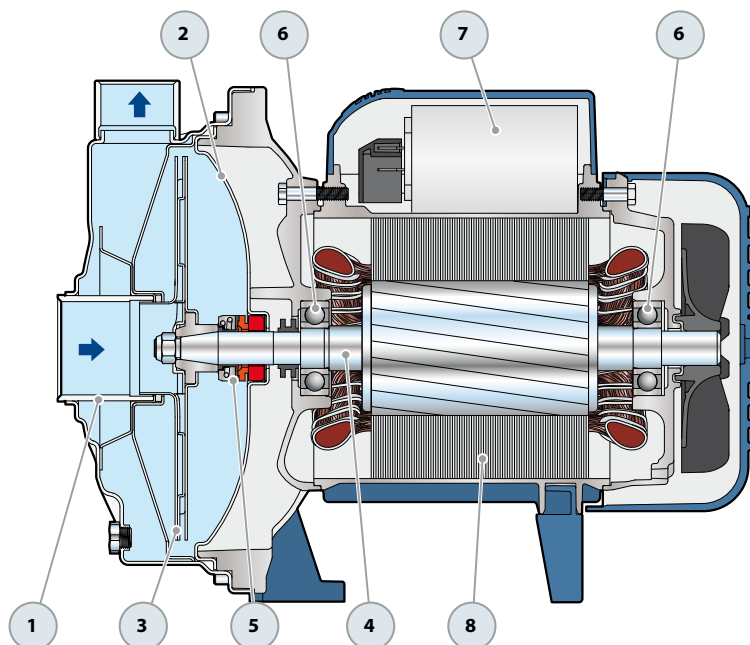
PALLETIZATION

| MODEL | | GROUPAGE | CONTAINER |
|--------------|-------------|----------|-----------|
| Single-phase | Three-phase | n. pumps | n. pumps |
| CPm 100-ST4 | CP 100-ST4 | 96 | 144 |
| CPm 130-ST4 | CP 130-ST4 | | |
| CPm 132-ST4 | CP 132-ST4 | | |
| CPm 150-ST4 | CP 150-ST4 | 50 | 80 |
| CPm 158-ST4 | CP 158-ST4 | 45 | 63 |
| CPm 170-ST4 | CP 170-ST4 | | |
| CPm 170M-ST4 | CP 170M-ST4 | | |
| CPm 180-ST4 | CP 180-ST4 | 45 | 63 |
| CPm 190-ST4 | CP 190-ST4 | | |
| CPm 200-ST4 | CP 200-ST4 | | |

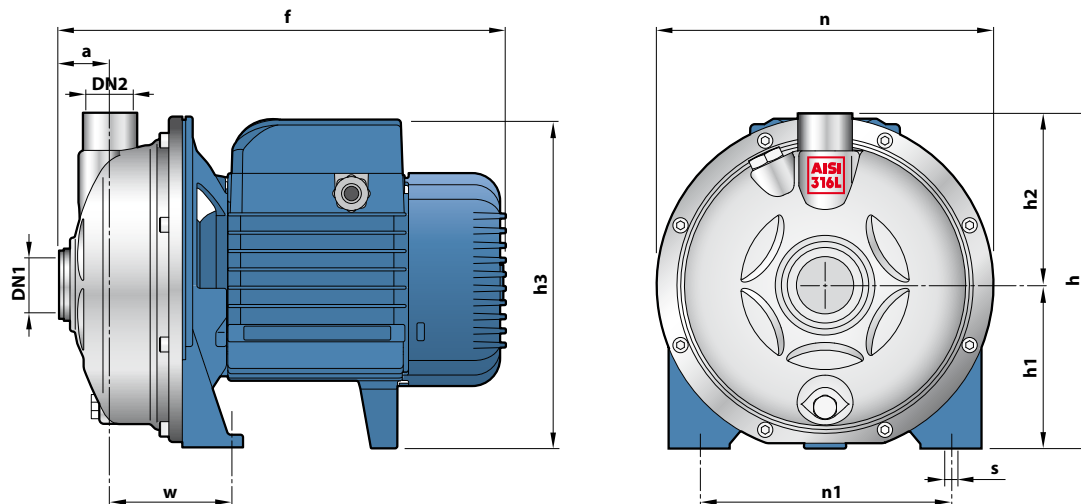
CP-ST6

POS. COMPONENT CONSTRUCTION CHARACTERISTICS

| | | | | | | | | |
|---|-----------------------------|--|-------------------|-----------------|------------------------|------------------------|------------------|---------------|
| 1 | PUMP BODY | Stainless steel AISI 316L | | | | | | |
| 2 | BODY BACKPLATE | Stainless steel AISI 316L | | | | | | |
| 3 | IMPELLER | Stainless steel AISI 316L | | | | | | |
| 4 | MOTOR SHAFT | Stainless steel AISI 316L | | | | | | |
| 5 | MECHANICAL SEAL | <i>Pump</i> | <i>Seal</i> | <i>Shaft</i> | <i>Materials</i> | | | |
| | | <i>Model</i> | <i>Model</i> | <i>Diameter</i> | <i>Stationary ring</i> | <i>Rotational ring</i> | <i>Elastomer</i> | <i>Spring</i> |
| | | CP 100-ST6, CP 130-ST6 CP 132-ST6 | AR-12ST6 | Ø 12 mm | Ceramic | Graphite | NBR | AISI 316 |
| | | CP 150-ST6, CP 158-ST6 CP 170-ST6, CP 170M-ST6 | AR-14ST6 | Ø 14 mm | Ceramic | Graphite | NBR | AISI 316 |
| | | CP 180-ST6, CP 190-ST6 CP 200-ST6 | FN-18ST6 | Ø 18 mm | Graphite | Ceramic | NBR | AISI 316 |
| 6 | BEARINGS | <i>Pump</i> | <i>Model</i> | | | | | |
| | | CP 100-ST6, CP 130-ST6 CP 132-ST6 | 6201 ZZ / 6201 ZZ | | | | | |
| | | CP 150-ST6, CP 158-ST6 | 6203 ZZ / 6203 ZZ | | | | | |
| | | CP 170-ST6, CP 170M-ST6 CP 180-ST6, CP 190-ST6 CP 200-ST6 | 6204 ZZ / 6204 ZZ | | | | | |
| | | 7 | CAPACITOR | <i>Pump</i> | <i>Capacitance</i> | | | |
| <i>Single-phase</i> | <i>(220-230 V or 240 V)</i> | | | | | | | |
| CPm 100-ST6 | 10 µF - 450 VL | | | | | | | |
| CPm 130-ST6 | 10 µF - 450 VL | | | | | | | |
| CPm 132-ST6 | 14 µF - 450 VL | | | | | | | |
| CPm 150-ST6, CPm 158-ST6 | 20 µF - 450 VL | | | | | | | |
| CPm 170-ST6, CPm 170M-ST6 | 25 µF - 450 VL | | | | | | | |
| CPm 180-ST6 | 31.5 µF - 450 VL | | | | | | | |
| CPm 190-ST6 | 45 µF - 450 VL | | | | | | | |
| CPm 200-ST6 | 50 µF - 450 VL | | | | | | | |
| 8 | ELECTRIC MOTOR | CPm-ST6: single-phase 220-230 V - 50 Hz with thermal overload protector incorporated into the winding. CP-ST6: trifase 230/400 V - 50 Hz. | | | | | | |
| <p>⇒ The three-phase pumps are fitted with high performance motors for P₂=0.25 kW in class IE2 and from P₂=0.37 kW in class IE3 (IEC 60034-30-1)</p> <p>- Insulation: class F - Protection: IP X4</p> | | | | | | | | |



DIMENSIONS AND WEIGHT



| MODEL | | PORTS | | DIMENSIONS mm | | | | | | | | | | kg | |
|--------------|-------------|-------|-----|---------------|-----|-------|-----|-------|-------|-----|-----|------|-----|------|------|
| Single-phase | Three-phase | DN1 | DN2 | a | f | h | h1 | h2 | h3 | n | n1 | w | s | 1~ | 3~ |
| CPm 100-ST6 | CP 100-ST6 | 1¼" | 1" | 31.5 | 266 | 185.5 | 92 | 93.5 | 183 | 182 | 120 | 68.5 | 9 | 5.6 | 5.6 |
| CPm 130-ST6 | CP 130-ST6 | | | | | | | | | | | | | 6.5 | 6.5 |
| CPm 132-ST6 | CP 132-ST6 | | | | | | | | | | | | | 7.2 | 6.5 |
| CPm 150-ST6 | CP 150-ST6 | | | 33.5 | 295 | 219 | 107 | 112 | 218 * | 221 | 165 | 80.5 | 9.5 | 10.8 | 10.8 |
| CPm 158-ST6 | CP 158-ST6 | | | | | | | | | | | | | 10.8 | 10.8 |
| CPm 170-ST6 | CP 170-ST6 | | | 33.5 | 368 | 237.5 | 120 | 117.5 | 251 | 245 | 180 | 86.5 | 11 | 14.5 | 14.5 |
| CPm 170M-ST6 | CP 170M-ST6 | | | | | | | | | | | | | 14.5 | 14.5 |
| CPm 180-ST6 | CP 180-ST6 | | | 33.5 | 368 | 237.5 | 120 | 117.5 | 251 | 245 | 180 | 86.5 | 11 | 15.8 | 15.8 |
| CPm 190-ST6 | CP 190-ST6 | | | | | | | | | | | | | 17.1 | 17.1 |
| CPm 200-ST6 | CP 200-ST6 | | | | | | | | | | | | | 19.6 | 19.6 |

(*) h3=237 mm for single phase versions at 110 V

ABSORPTION

| MODEL | VOLTAGE |
|--------------|---------|
| Single-phase | 230 V |
| CPm 100-ST6 | 2.0 A |
| CPm 130-ST6 | 3.0 A |
| CPm 132-ST6 | 3.7 A |
| CPm 150-ST6 | 6.0 A |
| CPm 158-ST6 | 6.0 A |
| CPm 170-ST6 | 7.8 A |
| CPm 170M-ST6 | 7.8 A |
| CPm 180-ST6 | 8.5 A |
| CPm 190-ST6 | 10.5 A |
| CPm 200-ST6 | 12.8 A |

| MODEL | VOLTAGE | |
|-------------|---------|-------|
| Three-phase | 230 V | 400 V |
| CP 100-ST6 | 1.7 A | 1.0 A |
| CP 130-ST6 | 1.9 A | 1.1 A |
| CP 132-ST6 | 2.3 A | 1.3 A |
| CP 150-ST6 | 4.2 A | 2.4 A |
| CP 158-ST6 | 4.2 A | 2.4 A |
| CP 170-ST6 | 5.7 A | 3.3 A |
| CP 170M-ST6 | 5.7 A | 3.3 A |
| CP 180-ST6 | 5.7 A | 3.3 A |
| CP 190-ST6 | 6.6 A | 3.8 A |
| CP 200-ST6 | 8.8 A | 5.1 A |

PALLETIZATION

| MODEL | | GROUPAGE | CONTAINER |
|--------------|-------------|----------|-----------|
| Single-phase | Three-phase | n. pumps | n. pumps |
| CPm 100-ST6 | CP 100-ST6 | 96 | 144 |
| CPm 130-ST6 | CP 130-ST6 | | |
| CPm 132-ST6 | CP 132-ST6 | | |
| CPm 150-ST6 | CP 150-ST6 | 50 | 80 |
| CPm 158-ST6 | CP 158-ST6 | 45 | 63 |
| CPm 170-ST6 | CP 170-ST6 | | |
| CPm 170M-ST6 | CP 170M-ST6 | 45 | 63 |
| CPm 180-ST6 | CP 180-ST6 | | |
| CPm 190-ST6 | CP 190-ST6 | | |
| CPm 200-ST6 | CP 200-ST6 | | |