

ASO-Series 50Hz Open Impeller Stainless steel pump



ASO Stainless Open Impeller

ASO 50Hz

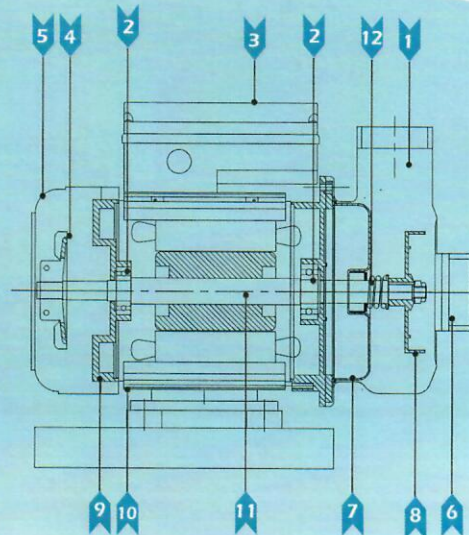
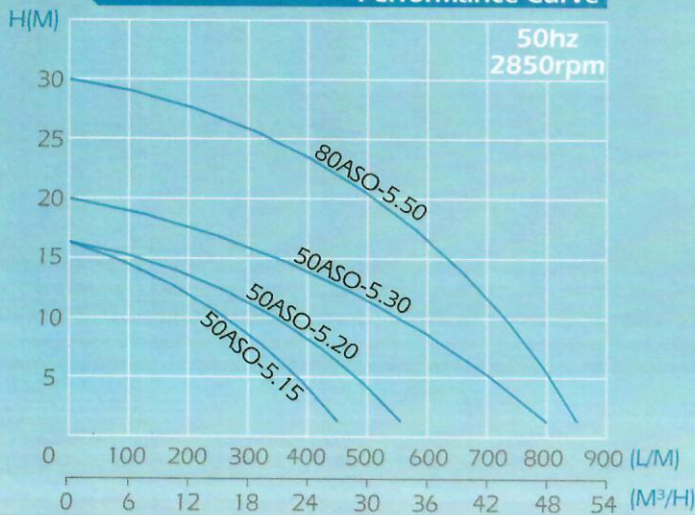
Feature

- > Pump made of SST 304
- > Water contacted Pump parts with Nano coating anti Acid/Alkali
- > High head/ large capacity
- > SST Open Impeller
- > For Sea Water

Application

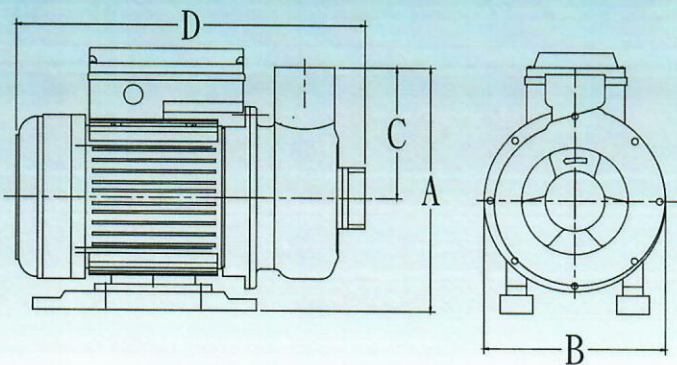
- > Plant services / Water supply systems
- > Liquid transfer / Water reclamation
- > Water treatment / Air conditioning systems

Performance Curve



Parts and Material List

No	Part	Mtrl
1	Pump Casing	SUS-304 (Nano coating)
2	Bearing	
3	Terminal Box	ABS
4	Cooling Fan	Nylon 66
5	Fan Cover	Steel
6	Suction	SUS-304 (Nano coating)
7	Mid.Plata	SUS-304 (Nano coating)
8	Impeller	SUS-304 (Nano coating)
9	Endshield	FC-20
10	Motor Casing	Aluminum
11	Shaft	SUS-316
12	Mech. Seal	Sic/Sic/Viton



Specifications

Type	Output		Discharge		Voltage	Maximum		Dimension(mm)				Weight
	HP	KW	Inch	mm		H (M)	Q (LPM)	A	B	C	D	
50ASO-5.15	1.5	1.1	2"	50	50Hz 1PH: 220V~240V 3PH: 380V~415V	16	450	232	194	133	373	13.5
50ASO-5.20	2	1.5	2"	50		16	550	232	194	133	373	15.5
50ASO-5.30	3	2.2	2"	50		20	800	232	194	133	485	24.5
80ASO-5.50	5	3.7	3"	80		30	850	302	218	164	510	45